



User Guide

- **Read this document carefully before using this device.**
- **DST America LLC is not responsible for accidents caused by improper use of this device.**
- **The device must be installed and used in compliance with the instructions and warnings in the corresponding technical documentation.**
- **It is recommended that the installation of the device be carried out by professional personnel.**

Kopilot ChildCare is a device that alerts a vehicle's driver to inspect a vehicle for unintentionally left passengers or children. Once the driver inspects the vehicle and touches "verified for children", the system acknowledges the inspection. In case the vehicle inspection is delayed, the alarm will sound to remind the driver to inspect the vehicle.

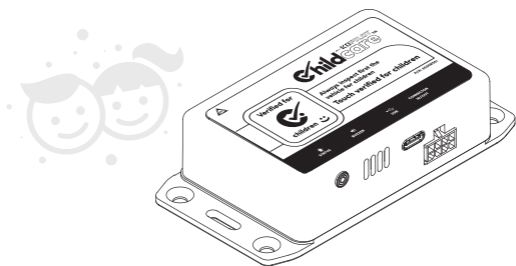
If a driver has problems related to attention, sleep such as apnea or chronic fatigue medical conditions; consume medicines or foods that alter the natural condition of attention, sleep or alter behavior or mental capacity in any way, we strongly recommend that you do not carry out driving tasks. The best way to avoid accidents related to distraction, drowsiness and / or fatigue is to rest and eat properly. Kopilot ChildCare should be used as an alert mechanism only.

/ Table of Contents

What is Kopilot Childcare?	4
How does it work	4
Benefits and Advantages	5
Parts and accesories	6
Specifications	7
Installation	8
Installation of Module	9
Wire Harness Installation	10
Software Settings	12
Regional configurations and settings	13
Advanced configuration and settings	14
Operation and use	14
Normal Use	14
What to do if my inspection is delayed?	15
What to do if the alarm is triggered?	15
Care and maintenance of your Kopilot Childcare	15
Troubleshooting	16
Help	17

/ What is Kopilot Childcare?

Kopilot ChildCare is an alarm to protect passengers and Children. The system encourages the vehicle's driver to inspect the vehicle for unintended left children or passengers.



/ How does it work?

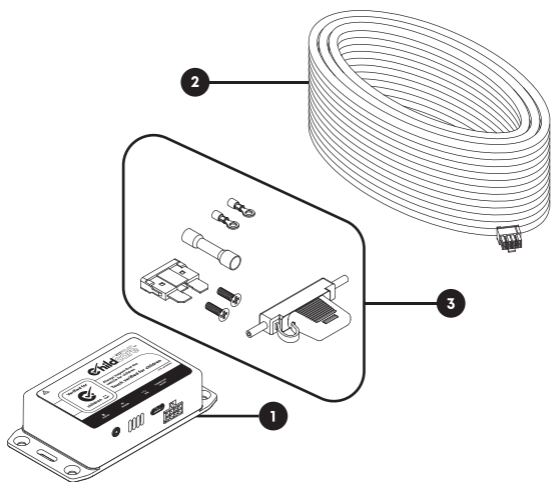
Kopilot ChildCare comprises a device to be installed on the rear panel of a bus cabin or in the passenger's door of van style vehicles. After the driver completes the transportation, the driver must walk toward the rear of the vehicle inspecting for passengers who may still be on-board. Once the driver reaches the rear, must press the contactless button labeled "Verified for Children". In case the inspection is delayed, an audible alarm will sound to remind the driver to perform or complete the inspection.

Many Departments of Child Cares encourages transportation facilities to implement a log or techniques to count how many passengers enters a vehicle and assure the same quantity of passengers are out of the vehicle once the transportation operation has ended. Kopilot ChildCare complies with the requirements to be used in the United States. Please consult your Department of Families and Child Care for more information.

/ Benefits and advantages

- Helps to prevent accidents related to unintended left passengers and children inside a vehicle.
- **Save lives.** Every year people die of heatstroke for been left or trapped in a hot car. We care for people and specially the most vulnerable to escape of this situation.
- **One device that fits all.** We designed Kopilot ChildCare to work in most of the current vehicle's series and models. You don't need to buy different devices. One single device model can be used for most vehicles.
- **Just fit the module and connect the wires.** We want to make it easy for you. That is why we only have one module and one connector to plug.
- **Yes, one module contains everything!** Forget about installing additional switches or boxes. Kopilot ChildCare contains everything in one single module.
- **Anti-Covid ready.** The module contains a contactless button to acknowledge the inspection. This is how we protect you and your family.
- **Everything in the box:** A 45 feet cable has been included.

/ Parts and accessories



1 Module

- Alarms the driver to inspect the vehicle
- Only visible element in vehicle's cabin
- Must be installed in the rear side
- Works on +12V or +24V vehicles.
- Easy to setup. Just choose your Region
- Contactless button. Color Green

2 Wire harness

- 45 feet long. No additional cable needed
- Easy connect
- Automotive grade

3 Electrical accessories

- Fuse holder
- Fuse
- Wire connectors
- Mounting screws

/ Specifications

Type of vehicles	Vehicles with +12V or +24V Batteries.
Type of alarm	Audible 85dB in cabin.
Inspection delay window	1 - 255 seconds. Software configurable.
Non-contact button	Yes. 0.5 - 0.75 inch.
Inputs	Input 1: Engine Start or Alternator. Input 2: User configurable Input 3: User configurable Voltage: 0V to + Battery.
Outputs	Output 1: Horn relay Output 2: User configurable Output 3: User configurable Voltage: 0v to +Battery. Max current: 500mA.
Conmutations	1 USB C connector Outputs are capable to communicate with GPS monitoring devices



Warning: Please do not exceed the maximum parameters. In case a higher current is needed in an output, please use an external relay. Device may malfunction if any specification is exceeded. Warranty voids if a specification is exceeded.

For more information, please send an email to contact@drivekopilot.com

/ Installation



Warning: Despite we designed Kopilot ChildCare to be easily install, it is highly recommended that this installation must only be performed by professional or instructed personnel. An electrical vehicular technician or similar might be qualified to perform the task.

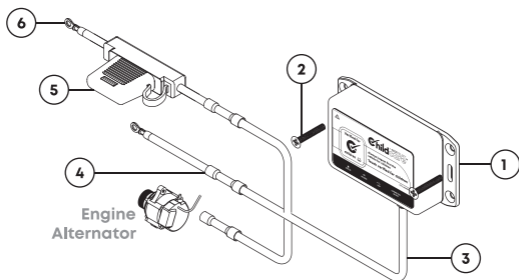
- For updated installation manuals, schematics, information or frequently asked questions, please visit:

www.drivekopilot.com/childcare

- For your safety, disconnect the vehicle's battery before starting the electrical connections.

- Use personal protection equipment especially glasses and hand gloves.

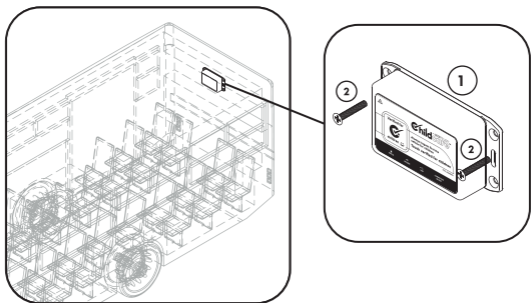
/ Basic Installation



ITEM	PART NUMBER	DESCRIPTION	QUANTITY
1	2020R502	Kopilot Childcare Module	1
2	-	Mounting Screws	2
3	2020R503	Wire Harness	1
4	-	Electrical Connectors	3
5	-	Fuse Holder with Fuse	1
6	-	Ring Connector	3

Items marked as "-" are all include in part number 2020R504 Installation Kit.

/ Installation of module



Selection of installation place:

It is recommended to install in a dry place protected of the rain, leakage or any other fluid. Install in the upper location where only a responsible person could access the device. Keel away of hot places as exhaust or any other. Don't install over other electrical devices or wires.

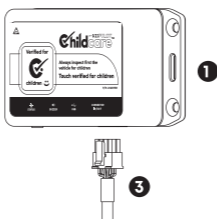
Don't install if the surface is loose or could shake out of normal

Bus: Always install in the rear of the passenger's cabin.

Van: Always install in the rear side of the passenger's door.

Use 2 units of mounting screws (2) and fix the module (1).

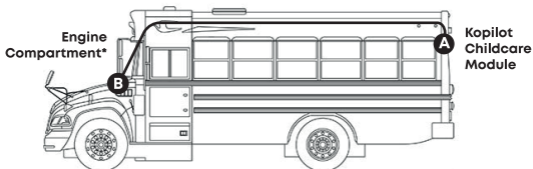
/ Wire Harness Installation



To make all electrical connections it is extremely recommended to disconnect the positive wire from the battery. For vehicles with master switch, please switch off the master.

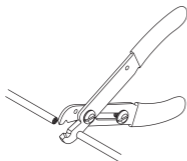
Locate the connector of the wire harness and plug it into the module. Next step is to guide the cable to the engine compartment.

Extend the cable through a safe route. As a guide the lights dome of the cabin has a route to the front of the vehicle that could be used.



*The position of the engine compartment depends on the model and type of vehicle

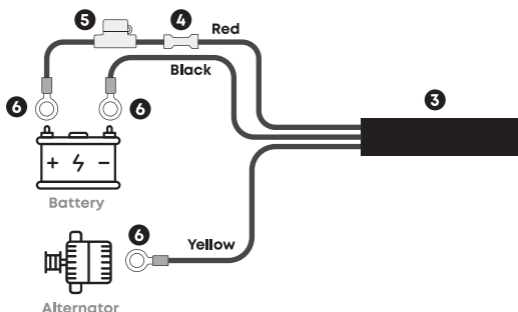
Cut the excess of cable if any.



CAUTION

Wear protective equipment

Make the electrical connections:



Peel off around 3 feet of cable cover from the (3) wire harness end. Locate the red cable and use the electrical connector (4) to attach it to the fuse holder (5) cable. Use the other end of the fuse holder (5) and crimp the ring terminal (6). Connect the ring terminal to the bolt of the battery (+) connector.

Locate the black cable and use the ring terminal (6) to connect it to the bolt of the battery (-).

Locate the yellow cable and use the ring terminal (6) to connect it to the signal of the alternator. Usually this signal is labeled as "R".

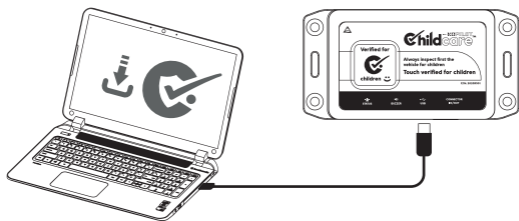
Note: The yellow cable (Input 1) is used for the device to detect the engine is running. This cable can be also connected it to a different part such as the key switch (ON position).

You can now reconnect the power on the vehicle following safety procedures.

/ Software Settings

Once the device is installed, a software configuration must be performed.

Please visit www.drivekopilot.com/childcare to download the newest version of the software.



Open the Kopilot App. If prompted to update the software version, click Yes. The Software will update to the latest version.

Plug in a USB C cable to computer and the device. If prompted to update the firmware version, click Yes. The Device will update to the latest version.

In Settings, select Basic.

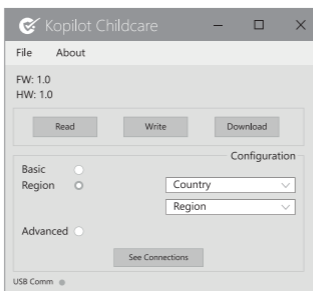
Click Write.

/ Regional configurations and settings

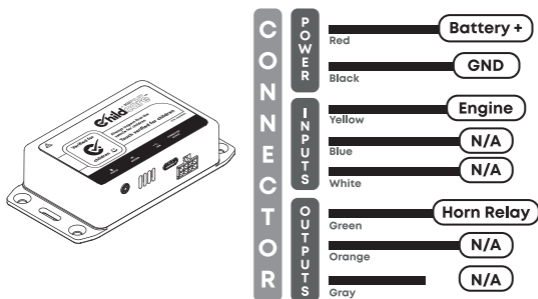
Kopilot ChildCare can apply regional configurations and Settings for some locations.

To download the electrical schematic to apply any Regional Configuration, please visit www.drivekopilot.com/childcare to download the recommended electrical connections required in your region.

You can also choose a Country and a Region in the Kopilot App and press the button “See Connections”



To facilitate connections to the user, a view of the device and cables is shown, according to the settings applied. Example USA, Florida:



/ Advanced configurations and settings

Advanced configurations and Settings allow an expert user to modify the inputs and outputs of the device.

This functionality can be used to add more functions to the device. Many integrators will use the advanced configurations to communicate the GPS system and the Kopilot ChildCare.

/ Operation and Use

/ Normal Use

Kopilot ChildCare is simple and friendly to use.

- 1 Turn on the engine
- 2 Drive and / or transport the passengers
- 3 Turn off the engine
- 4 Inspect the vehicle for left passenger inside
- 5 Wave your hand close to the module until you hear a beep.
Typically, your hand must be closer than 0.75 inch from the device.
- 6 Well done! You acknowledge you inspected the vehicle.

/ What to do if my inspection is delayed?

If you need more time to perform the vehicle inspection, please turn on the engine. When you are ready, turn off the engine and perform *Normal Use* in page 14.

/ What to do if the alarm is triggered?

An alarm is triggered when the inspection is not acknowledged in the Kopilot ChildCare. To deactivate the alarm, please wave your hand in Kopilot ChildCare or follow *Normal Use* in page 14.

/ Care and maintenance of your Kopilot Childcare

You have received a device carefully manufactured. As every electronic device, please follow the following recommendations:

- Avoid excess vibration when installing in loose panels.
- Use a good screwdriver to fix the module
- Don't hit the device
- Don't clean with water. If dust is present, use a cotton or microfiber cloth to clean the device.
- Secure the wire harness with tie raps or similar to avoid vibration that can possibly break the cables.
- Do not try to disassemble the module. There are not serviceable parts inside.
- Check your vehicle periodically to proper electrical conditions.

/ Troubleshooting

My device does not turn on

- Check the fuse.
- Check the connector and tight it is necessary.
- Check for cut cable.
- With the help of a multimeter, measure voltage in the pins 1 and 2 of the connector. Must be close to Battery voltage.
- Contact Customer Care Center.

My device does not trigger the alarm

- Check if the LED changes from Yellow to Blue when the engine is switch from On to Off.
- Check the yellow cable for continuity from alternator (or key switch) to the device.
- With the help of a multimeter, measure voltage in the pins 3 of the connector. Must change from 0V to Battery Voltage when the engine turns on.
- Using the Kopilot App, changes the settings to basic. Please read *Software Settings* in page 12
- Contact Customer Care Center.

My device cannot communicate with the Kopilot App

- Check the USB C cable for broken parts.
Grant access to Kopilot App in your computer to the USB ports.
- Download the latest software
www.drivekopilot.com/customercenter/
- Check if the device is powered. The LED must be Green or Yellow.
- Contact Customer Care Center.

My device is installed and working but does not horn

- Use the Kopilot App to apply a Regional or Advanced settings. Please read chapter *Regional configurations and Settings* and *Advanced configurations and settings* in pages 13 and 14.
- In the Kopilot App press "READ" and then press "See Connections" and check you have connected everything as displayed.
- With the help of a multimeter, measure voltage in the pin 7 of the connector. Must change from 0V to Battery Voltage when the alarm is triggered.
- Contact Customer Care Center,

A connected light (or similar) to output 2 or output 3 does not turn on when triggered

- Use the Kopilot App to apply a Regional or Advanced settings. Please read *Regional configurations and Settings* and *Advanced configurations and settings* in pages 13 and 14.
- In the Kopilot App press “READ” and then press “See Connections” and check you have connected everything as displayed.
- With the help of a multimeter, measure voltage in the pin that corresponds in the connector. Must change from 0V to Battery Voltage when the event is triggered.
- Contact Customer Care Center

Need more help?

Check the Frequently Asked Questions to find for additional information:
<https://www.drivekopilot.com/childcare-faq/>

Don't hesitate to contact us for more assistance. Please email us to contact@drivekopilot.com

Find more technical resources in our Customer Care Center
www.drivekopilot.com/customercenter/



Designed by:
DST America LLC
5401 West Kennedy Boulevard
Suite 100
33609-2457
Tampa, FL

All rights reserved, DST 2021

For more information visit:
www.drivekopilot.com/childcare